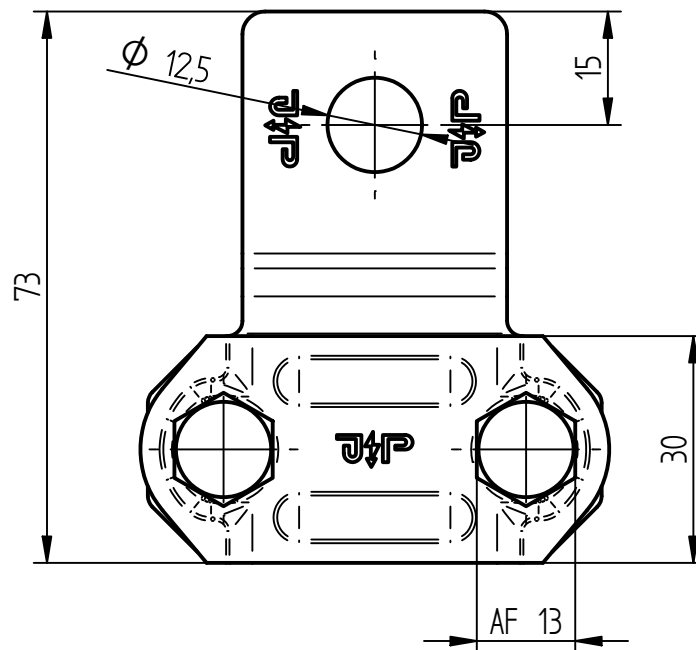
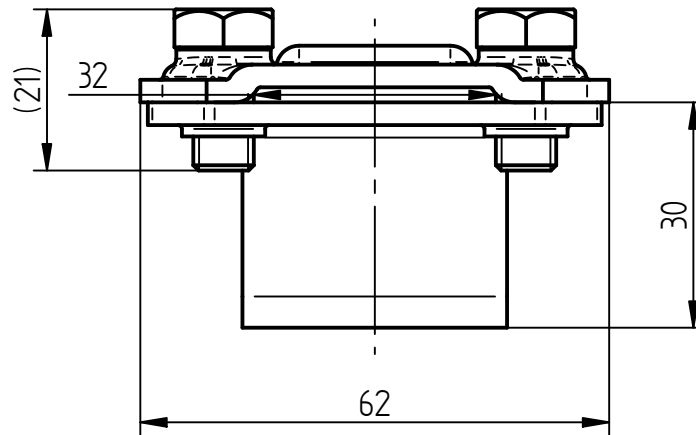


# Product Specification

**Ord.-No.:** 111 742

**Specification:** Disconnecting clamp with terminal angle  
St/tZn, fl. 30 mm, high version

**Performance:** Disconnecting clamp with terminal angle according to DIN EN 62561-1  
for test joints.



Material	St/tZn
Fit	fl. 30 mm
Screws	[2x] hexagon bolt M8, stainless steel V2A
Height of terminal angle	30 mm
Bore of terminal angle	$\phi 12,5$ mm
Short-circuit current (50 Hz), 1 s, $\leq 300$ °C	7,4 kA
Weight	151 g
Standard reference	DIN EN 62561-1
Packing unit	50 units